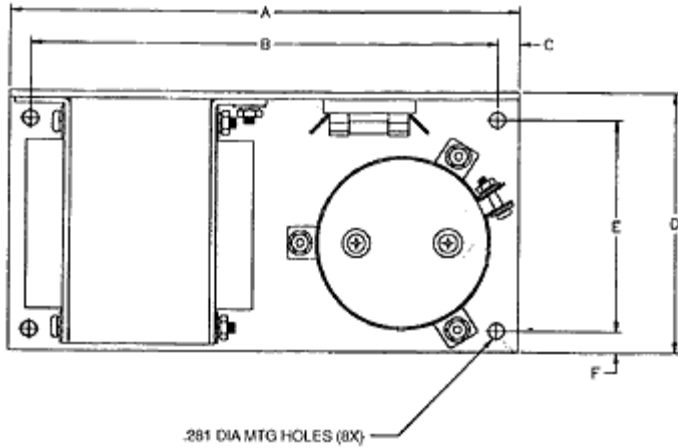


SPECIFICATIONS: LINEAR POWER SUPPLY IP500U48 MADE IN THE U.S.A.

<p>VAC INPUT:</p> <ul style="list-style-type: none"> 120/240VAC, +/-10% (PRIMARY TAPS PROVIDED) FREQUENCY RANGE: 47-63HZ 	<p>VAC JUMPERING AND FUSING</p> <table border="1"> <thead> <tr> <th>USE AT:</th> <th>108VAC</th> <th>120VAC</th> <th>132VAC</th> <th>216VAC</th> <th>240VAC</th> <th>264VAC</th> </tr> </thead> <tbody> <tr> <td>Jumper</td> <td>1&5,2&6</td> <td>1&5,3&7</td> <td>1&5,4&8</td> <td>2&5</td> <td>3&5</td> <td>4&5</td> </tr> <tr> <td>Apply AC</td> <td>1&2</td> <td>1&3</td> <td>1&4</td> <td>1&6</td> <td>1&7</td> <td>1&8</td> </tr> <tr> <td>MaxCurrent/FuseRating</td> <td>8A</td> <td>8A</td> <td>8A</td> <td>4A</td> <td>4A</td> <td>4A</td> </tr> </tbody> </table> <p>REQUIREMENTS: SILKSCREENED ON CHASSIS FOR TRANSFORMER PRIMARY TERMINALS CAUTION! NOT TO BE USED WITH IEC127 STYLE FUSE. USE ONLY AMERICAN AGC TYPE</p>	USE AT:	108VAC	120VAC	132VAC	216VAC	240VAC	264VAC	Jumper	1&5,2&6	1&5,3&7	1&5,4&8	2&5	3&5	4&5	Apply AC	1&2	1&3	1&4	1&6	1&7	1&8	MaxCurrent/FuseRating	8A	8A	8A	4A	4A	4A
USE AT:	108VAC	120VAC	132VAC	216VAC	240VAC	264VAC																							
Jumper	1&5,2&6	1&5,3&7	1&5,4&8	2&5	3&5	4&5																							
Apply AC	1&2	1&3	1&4	1&6	1&7	1&8																							
MaxCurrent/FuseRating	8A	8A	8A	4A	4A	4A																							
<p>UNREGULATED VDC OUT@NOMINAL LINE</p> <ul style="list-style-type: none"> 48.8 VDC @ 10 AMP FULL LOAD 52.8 VDC @ HALF LOAD 56.6 VDC @ 0 AMP <p>DC CONNECTIONS:</p> <ul style="list-style-type: none"> +OUT 0.250x0.032 FAST-ON AT FUSE BLOCK -OUT(DC-RETURN)10-32-SCREW/SOLDER TERMINAL AT MINUS SIDE OF THE CAPACITOR 	<p>EFFICIENCY (TYPICAL):</p> <ul style="list-style-type: none"> 75% TO 80% FULL LOAD <p>SHORT CIRCUIT PROTECTION:</p> <ul style="list-style-type: none"> OUTPUT FUSED @ 15 AMP 																												
<p>LINE REGULATION:</p> <ul style="list-style-type: none"> EQUAL TO % LINE CHANGE 	<p>LOAD REGULATION @ NOMINAL LINE</p> <ul style="list-style-type: none"> 9% FOR A 50% TO 100% LOAD CHANGE (DERATE OUTPUT CURRENT 10% FOR 58 HZ OPERATION) 																												
<p>OUTPUT RIPPLE: AT FULL LOAD 3% RMS MAXIMUM</p>	<p>MTBF: 1,800,000 HRS. CALCULATED PER MIL-HDBK-217F/25°C/GROUND BENIGN</p>																												
<p>TEMPERATURE RATINGS:</p> <ul style="list-style-type: none"> OPERATING: 0°C TO 55°C FULL RATED DERATED LINEARLY TO 40% @ 70°C STORAGE: -40°C TO + 95°C 	<p>EMI/RFI: INHERENT LOW CONDUCTED AND REDIATED NOISE LEVELS.</p> <ul style="list-style-type: none"> EMI: FCC CFR TITLE 47 PART 15 SUB-PART B RFI: EN55022/CISPR22-LEVEL B COMPATIBILITY 																												
<p>VIBRATION:</p> <ul style="list-style-type: none"> MIL-STD-810G, METHOD 514.6, CATEGORY 1, PROCEDURE1 RANDOM VIBRATION 10Hz - 2KHz, 6.15 grams (3 axis) 	<p>SHOCK:</p> <ul style="list-style-type: none"> MIL-STD-810G, METHOD 516.6, PROCEDURE III OPERATING: 20 GPK 																												

UL recognized for US and Canada – File#E133338/ CE Mark: LVD 92/59/EEC/ RoHS-5 Lead in Solder Exemption
US and Canadian(Bi-National) standards: ANSI/UL 60950-1/-21; CAN/CSA C22.2 #60950-1/-21; IEC 60950-1

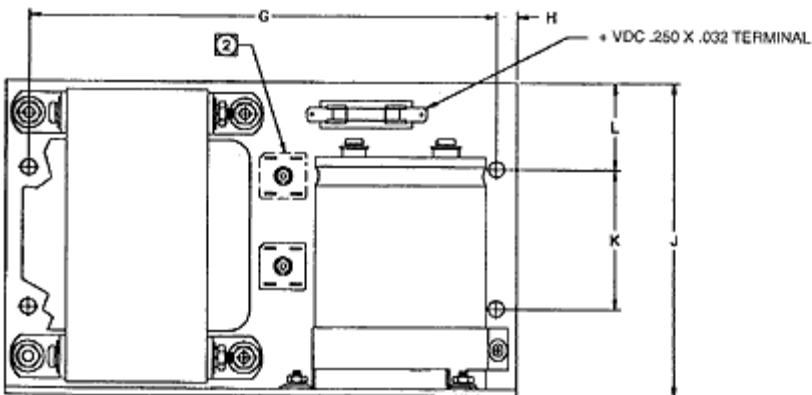
CASE SIZE: IP500U



IP500U Case

Overall Size: 9.00" x 5.62" x 4.62"
228.60mm x 142.75mm x 117.35mm
Weight 18 lbs.

Note:
② Optional location for additional Rectifier



	INCH	mm
A	9.00	228.6
B	8.25	209.55
C	.37	9.40
D	4.62	117.35
E	3.750	95.25
F	.38	9.65
G	8.240	209.30
H	.35	8.89
J	5.62	142.75
K	2.500	63.50
L	1.56	39.62